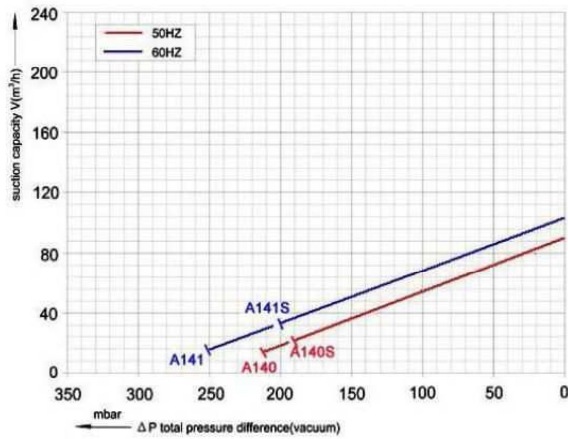


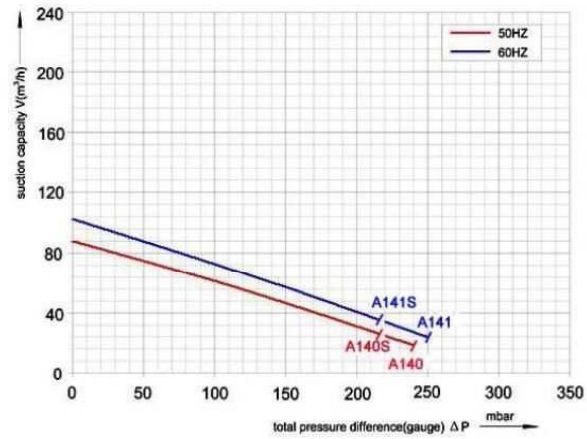


RB30-1-5XX SERIES

Performance curve for vacuum pump

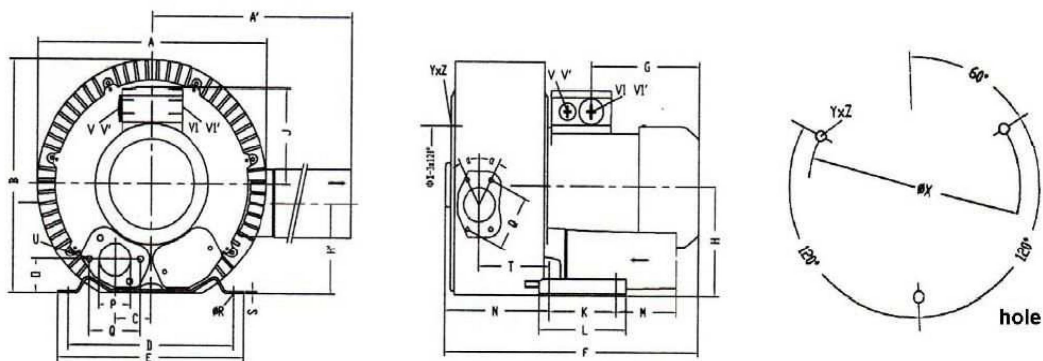


Performance curve for Compressor



curve No	MODEL	Single double stage	Freq Hz	Output power Kw	voltage V	Rated current A	Max airflow m3/h	Max static suction mbar	Max static pressure mbar	Noise dB(A)	Dimension L X W X H mm	weight Kg
A140	RB30-1-5B0	double	50	0.7	200-240Δ 345-415Y	3.8Δ/2.2Y	88	-210	240	55	316 X 284 X 270	14
A141			60	0.83	220-275Δ 380-480Y	3.75Δ/2.15Y	103	-250	250	61		14
A140S	RB30-1-590	double	50	0.7	200-240V	4.5	88	-210	240	55	316 X 284 X 270	15
A141S			60	0.83	200-240V	5.6	103	-250	250	61		15

Installation for dimension



MODEL	phase	Curve	A	A'	B	C	D	E	F	G	H	H'	J	K	L	M	N	O	P	Q
RB30-1-590	1	A140s/141s	284	316	270	45	205	230	316	129	128	106	111	83	108	75	130	39	G1¼	64
RB30-1-5B0	3	A140/141																		
MODEL	phase	Curve	ØR	S	T	U	V	V'	V1	V1'	a	ØX	Y x Z	X-holes						
RB30-1-590	1	A140s/141s	10	2.5	88	M6 x 17					27°	140	M6 x 1.5	51°/171°/291						
RB30-1-5B0	3	A140/141																		



ENVIROFLUIDES

contact@envirofluides.com
www.envirofluides.com

☎: 03.20.00.39.56
☎: 0972.115.898

2400 Tour Lille-Europe - 11 parvis de Rotterdam - 59 777 EURAILLE